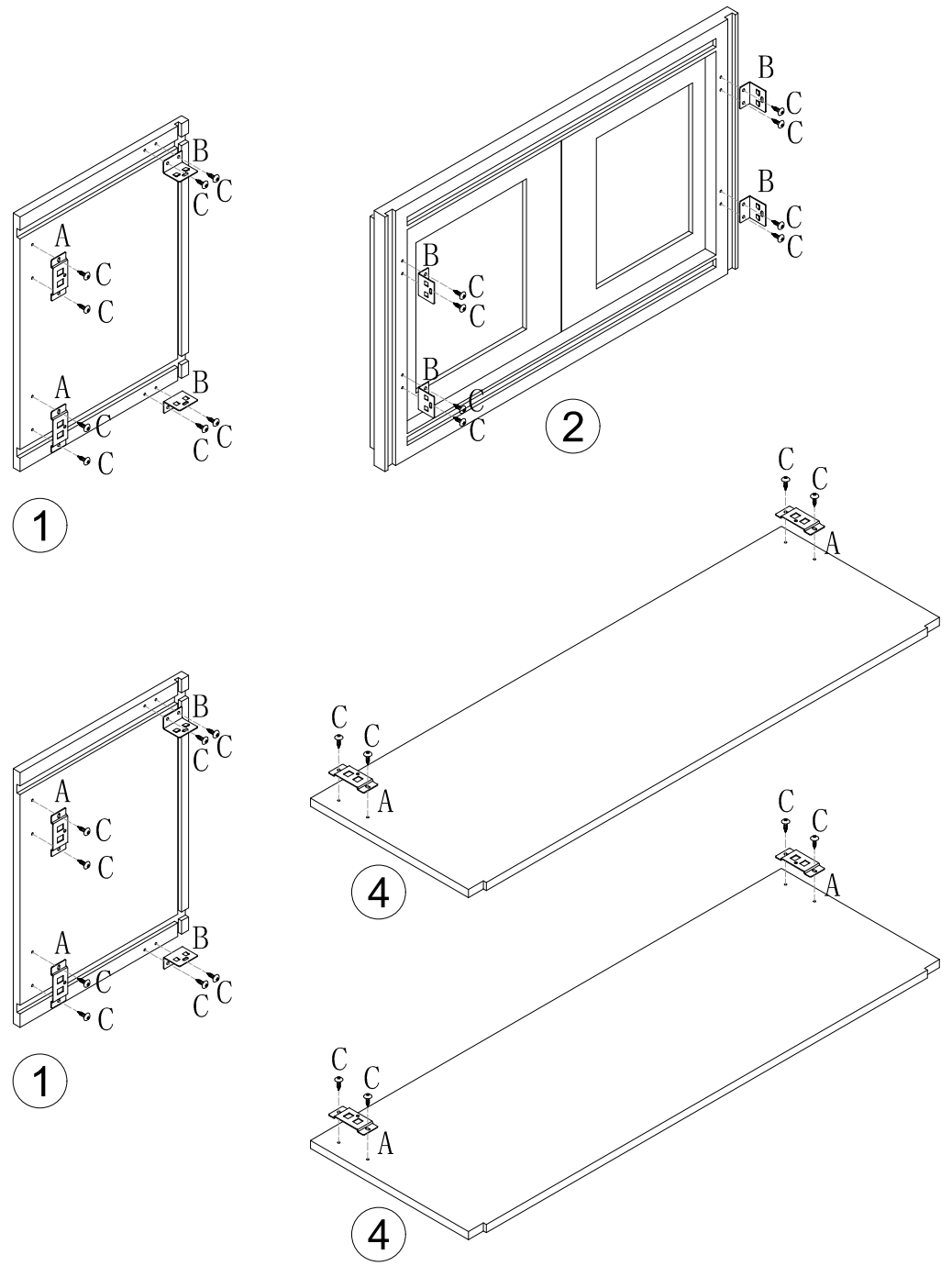
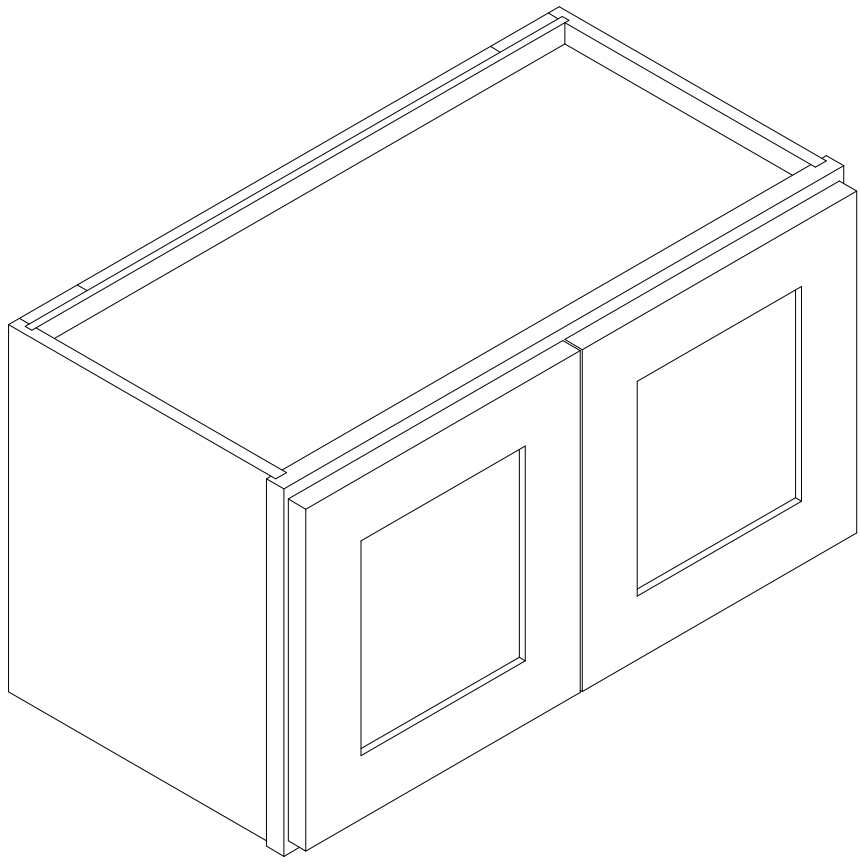


# ASSEMBLY INSTRUCTIONS

W2412/W2415/W3012/W3015/W3315/  
RW3012/RW3015/RW3312/RW3315

## Step 1

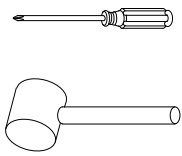


### Parts list

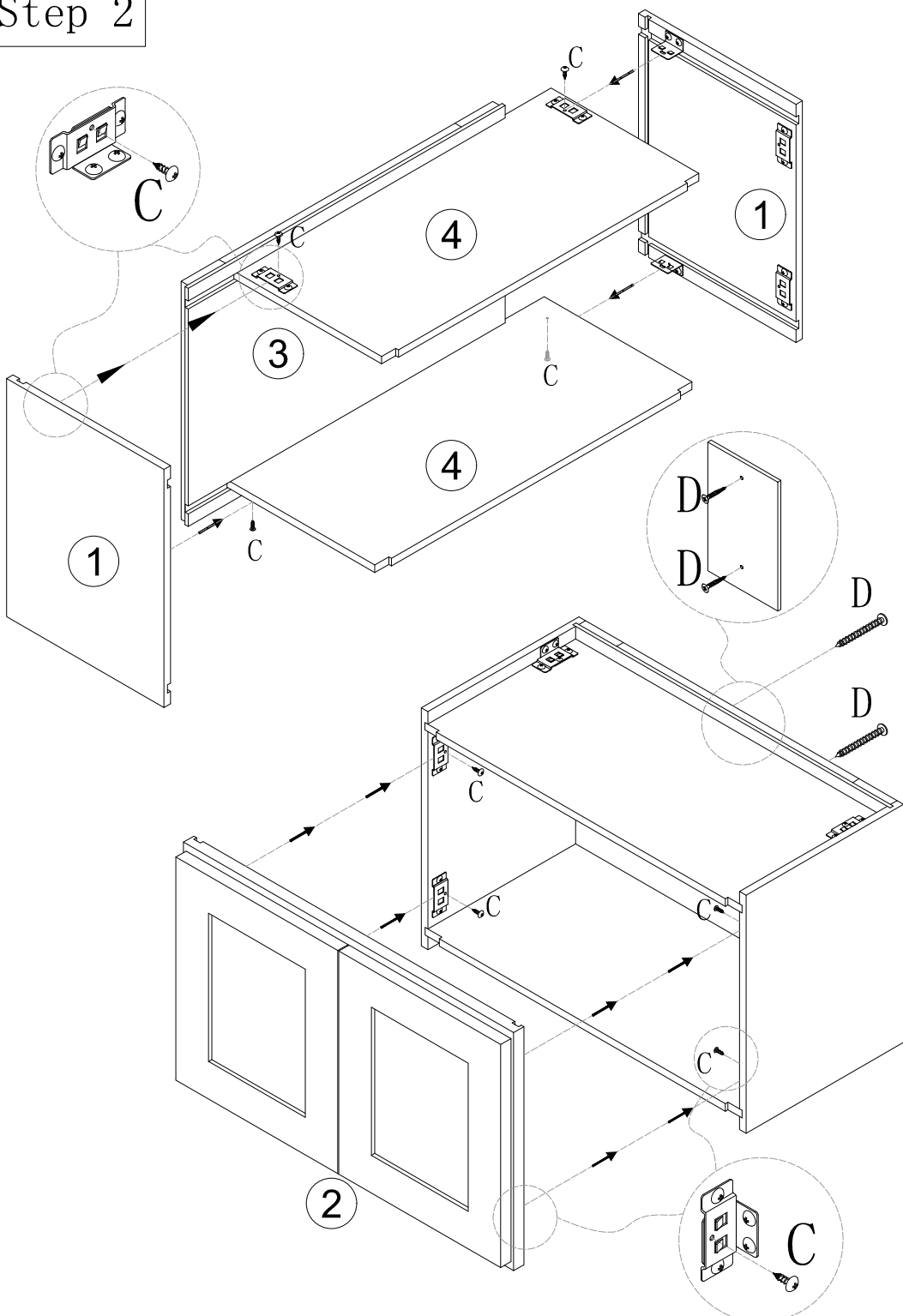
NO.	Parts	QTY
A		8
B		8
C	 (M4*0.47")	40

NO.	Parts	QTY
D	 (T4*0.98")	2

### Tools (required but not provided)



## Step 2



## Finished

